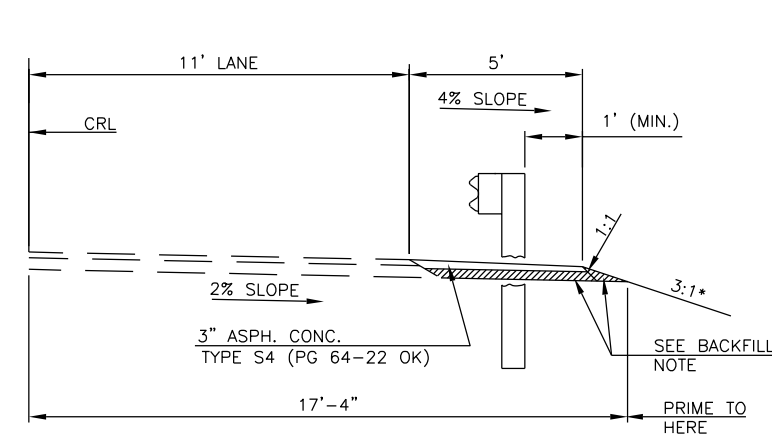
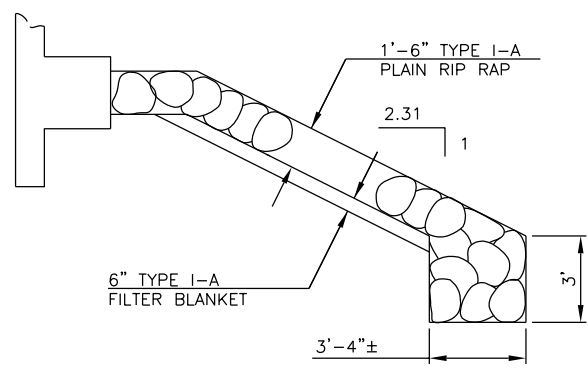


TYPICAL SECTION



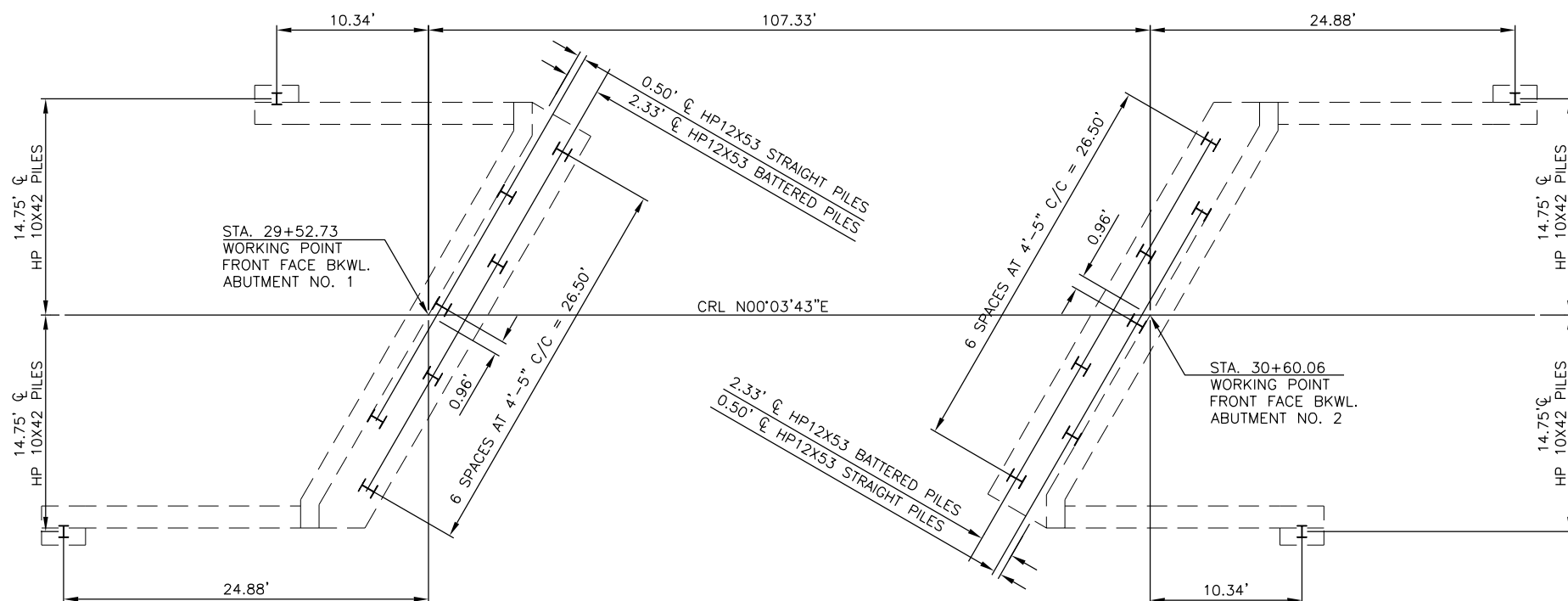
GUARD RAIL WIDENING SECTION



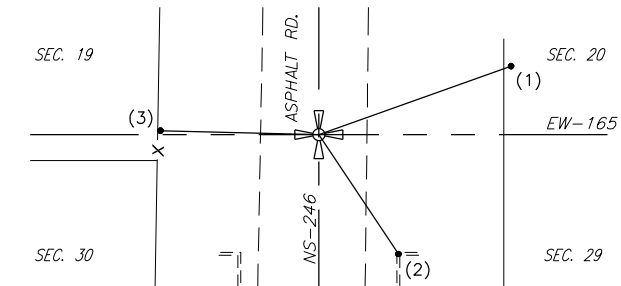
RIPRAP TYPICAL SECTION

EROSION CONTROL AND CONSTRUCTION NOTES
 SEE EROSION CONTROL PLAN, SHEET NO. R002, FOR EROSION CONTROL, CONSTRUCTION AND TOPSOIL NOTES.

BACK FILL NOTE:
 SHOULDERS SHALL BE BACK FILLED AND COMPACTED AS PART OF THE FINISHING OPERATION, PRICE TO BE INCLUDED IN EARTHWORK.

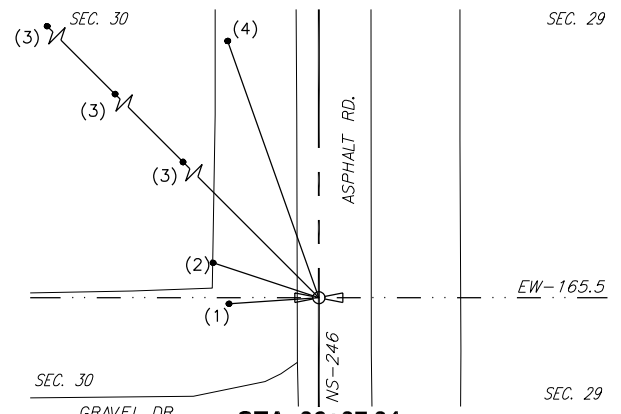


STAKING DIAGRAM



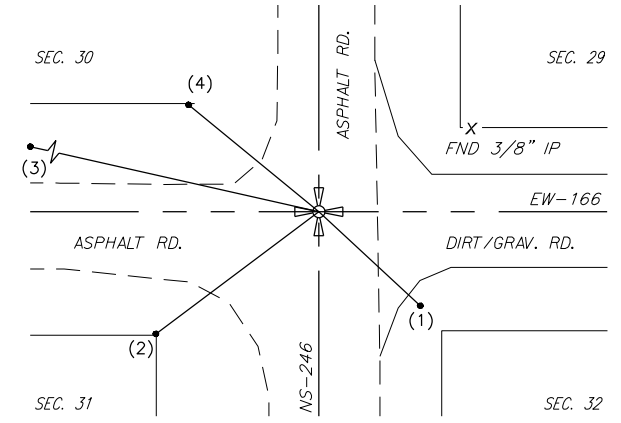
STA. 62+75.90
 NE COR. SEC 30, T-2-N, R-13-W
 FOUND 1/2" IRON PIN

- (1) FOUND PK NAIL TOP RAILROAD TIE CORNER POST 35.40' AT N 70°24'02" E
- (2) FOUND CUT "X" NORTHWEST CORNER OF HEADWALL 24.90' AT S 33°38'45" E
- (3) FOUND PK NAIL ATOP 12" WOOD POST 27.50' AT N 88°34'39" W



STA. 36+37.34
 E/4 COR. SEC 30, T-2-N, R-13-W
 FOUND 1/2" IRON PIN

- (1) FOUND 60D NAIL SOUTH FACE TRIPLE TRUNK TREE 23.45' AT S 86°09'46" W
- (2) SOUTHEAST FACE 3" STEEL BRACE POST 29.00' AT N 71°41'10" W
- (3) SET 1/2" IRON PIN 3" DEEP 100', 150' AND 200' AT N 45°00'00" W
- (4) FOUND 60D NAIL EAST FACE 24" BRACE POST 70.95' AT N 19°32'24" W



STA. 10+00.00
 SE COR. SEC 30, T-2-N, R-13-W
 FOUND 3/8" IRON PIN

- (1) FOUND 60D NAIL NORTHWEST FACE POWER POLE 36.00' AT S 47°13'26" E
- (2) NORTHEAST FACE 2" STEEL CORNER POST 52.97' AT S 53°08'29" W
- (3) FOUND 60D NAIL SOUTHEAST FACE POWER POLE 118.20' AT N 77°15'29" W
- (4) FOUND 60D NAIL ATOP 4" WOOD POST 43.85' AT N 50°32'15" W

SECTION CORNER REFERENCES

TRIBUTARY TO BLUE BEAVER CREEK COMANCHE COUNTY

TYPICAL SECTION AND MISCELLANEOUS DETAILS

JOB PIECE NO. 30440(04) SHEET NO. 0002